



Sand Hollow Fire District  
5239 Black Canyon Canyon Exit Road, Caldwell, Idaho 83607  
208-573-3165 chief@sandhollowfire.com

### Driveway Construction/Inspection Form

#### Applicant Information

Address/ Location of Proposed Development: \_\_\_\_\_

Name: \_\_\_\_\_ Contact Phone #: \_\_\_\_\_ Tax Lot #: \_\_\_\_\_

#### INSTRUCTIONS:

**Step 1:** Obtain form from Payette County Building Department prior to driveway construction.

**Step 2:** Upon completion of driveway, contact Sand Hollow Fire District for **DRIVEWAY INSPECTION**. Upon inspection SHFD representatives will provide signatures regarding completion/deficiencies for the driveway. Sand Hollow Fire will return a signed form to Payette County Building Department. Contact Sand Hollow Fire for additional questions.

#### Driveway Construction Requirements

Sand Hollow Fire District follows International Fire Code 2018 (IFC2018) and National Fire Protection Association (NFPA), which requires road and driveway improvements that are adequate and accessible for emergency apparatus for the construction site and residence.

1. New and existing buildings shall be provided with an *approved* address identification. The address identification shall be legible and placed in a position that is visible from the street or road fronting the property. Address identification characters shall contrast with background, .... shall not be less than 4" high ... ½" wide. Where access is by means of private road and the building cannot be viewed from the public way, a monument, pole or other sign or means shall be used to identify the structure.
2. Fire apparatus access roads shall not exceed 10 percent in grade.
3. Buildings shall be accessible to fire department apparatus via access road that shall be constructed of a surface capable of supporting the imposed load of fire apparatus weighing 80,000 pounds (per authority having jurisdiction).
4. Bridges and culverts shall be constructed to accommodate minimum of 100 year flood elevations and flows. Bridges and culverts shall be capable of supporting 80,000 pounds (per authority having jurisdiction). Engineering documentation shall be required for bridges. Culverts are required at the entrance to the driveway and ditches shall be provided along the driveway. Drainage must eliminate accumulation of water and ice.
5. Roadways shall have a horizontal minimum clear width of twelve feet for each lane of travel, as well as a thirteen feet six inches vertical clearance maintained over the full width of the roadway (per authority having jurisdiction).
6. Dead-end fire apparatus roads in excess of 150 feet in length shall be provided with an approved area for turning around fire apparatus. A dead-end roadway more than 300 feet in length shall be provided a turnaround no less than 120 feet outside diameter. Every cul-de-sac exceeding 1200 feet shall provide an approved intermediate turnaround at maximum of 1200 feet intervals.

**OWNER / BUILDER CONFIRMING COMPLETE CONSTRUCTION OF DRIVEWAY. BY SIGNING, I CERTIFY THE DRIVEWAY FOR THIS PROPOSED DEVELOPMENT IS COMPLETED TO THE ABOVE STANDARDS**

Owner / Builder Signature: \_\_\_\_\_ Date \_\_\_\_\_  
Name: \_\_\_\_\_ Email: \_\_\_\_\_

**THIS SECTION TO BE COMPLETED BY FIRE DEPARTMENT**

Property Address: \_\_\_\_\_

\_\_\_\_\_ Driveway improvements to the building site are suitable for access by Sand Hollow Fire apparatus.

\_\_\_\_\_ Conditional Approval- Driveway improvements to the building site are temporarily suitable for access by Sand Hollow Fire apparatus, however deficiencies exist. **RE-INSPECTION REQUIRED** Dated: \_\_\_\_\_

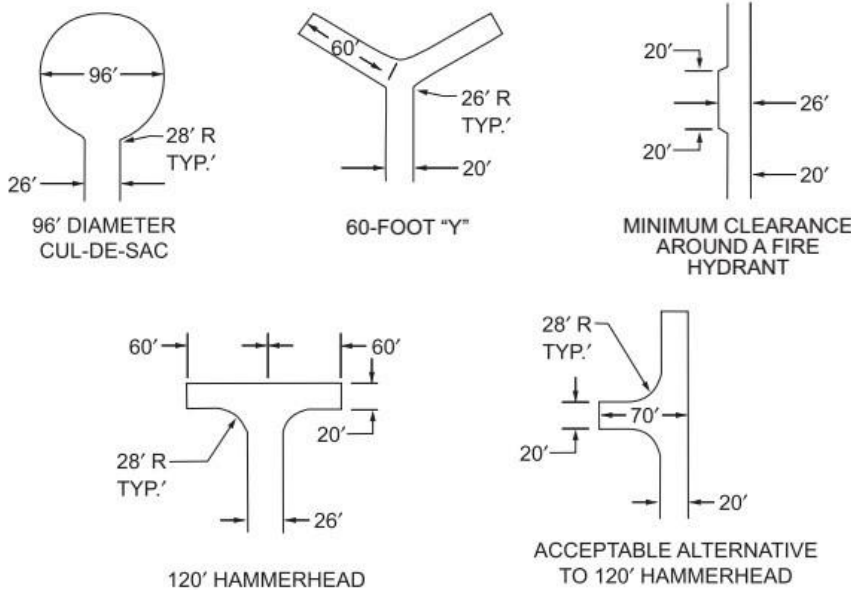
**Deficiencies:(Circle any that apply)**

Surface Rock Required  
Address Signage Needed

Additional Base Rock Required  
Comments: \_\_\_\_\_

Turnaround/Turnout Require

Fire Official Name: \_\_\_\_\_ Fire Official Signature: \_\_\_\_\_



**FIGURE D103.1 DEAD-END FIRE APPARATUS ACCESS ROAD TURNAROUND**

**TABLE D103.4 REQUIREMENTS FOR DEAD-END FIRE APPARATUS ACCESS ROADS**

| LENGTH (feet) | WIDTH (feet)              | TURNAROUNDS REQUIRED                                                                             |
|---------------|---------------------------|--------------------------------------------------------------------------------------------------|
| 0-150         | 20                        | None required                                                                                    |
| 151-500       | 20                        | 120-foot hammerhead, 60-foot "Y" or 96-foot diameter cul-de-sac in accordance with Figure D103.1 |
| 501-750       | 26                        | 120-foot hammerhead, 60-foot "Y" or 96-foot diameter cul-de-sac in accordance with Figure D103.1 |
| over 750      | Special approval required |                                                                                                  |